

1

2

3

4

5

6

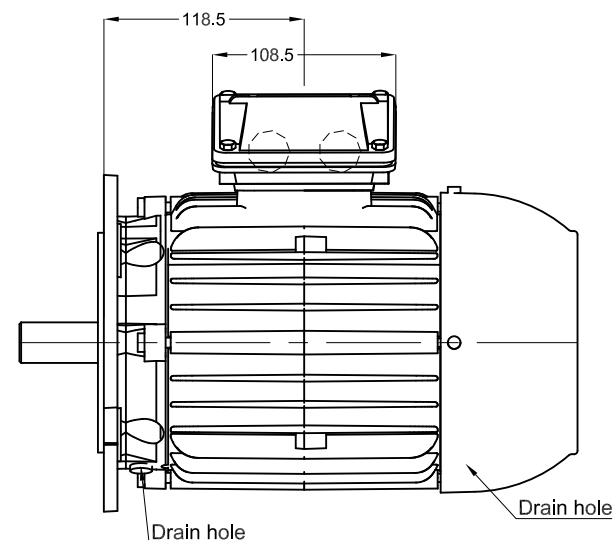
A

B

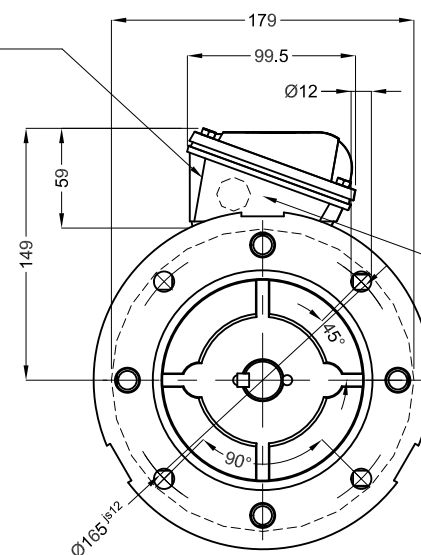
C

D

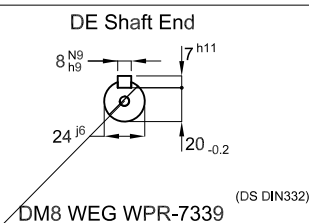
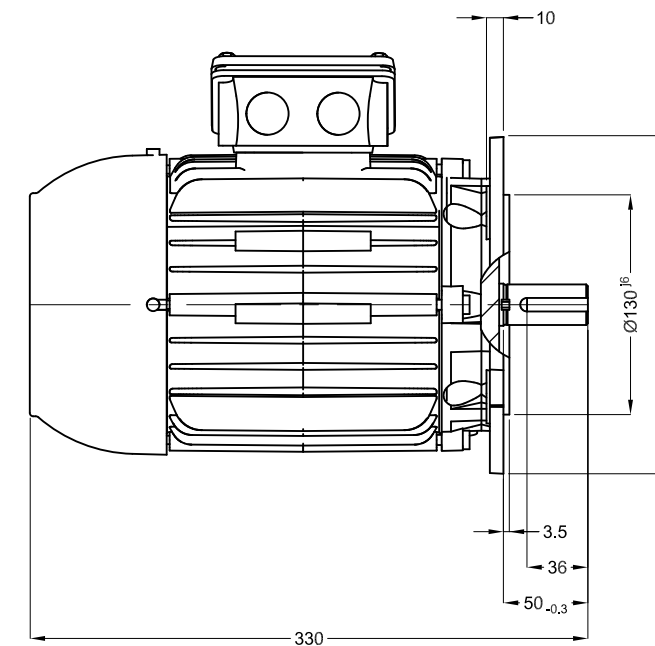
E



Main terminal box
2x M25x1.5
+
M20x1.5



Grounding 0.5-6 mm² / 20-10 AWG



- Sealing - oil seal ring
- Bearing cap
- Thermal protection to switch off - thermistors 155°C
- Color RAL 5009
- Painting plan 207A
- Mounting B5T

2.2 kW 02 Poles 50 Hz A

		HYBRISUSER						
ECM	LOC	SUMMARY OF MODIFICATIONS		EXECUTED	CHECKED	RELEASED	DATE	VER
EXECUTED	HYBRISUSER	THREE PH. MOTOR W22 IE3 FRAME 90L IP55 TEFC		EXECUTED	CHECKED	RELEASED	DATE	00
CHECKED								
RELEASED								
REL. DATE								

PREVIEW
WDD | 00
SHEET /

