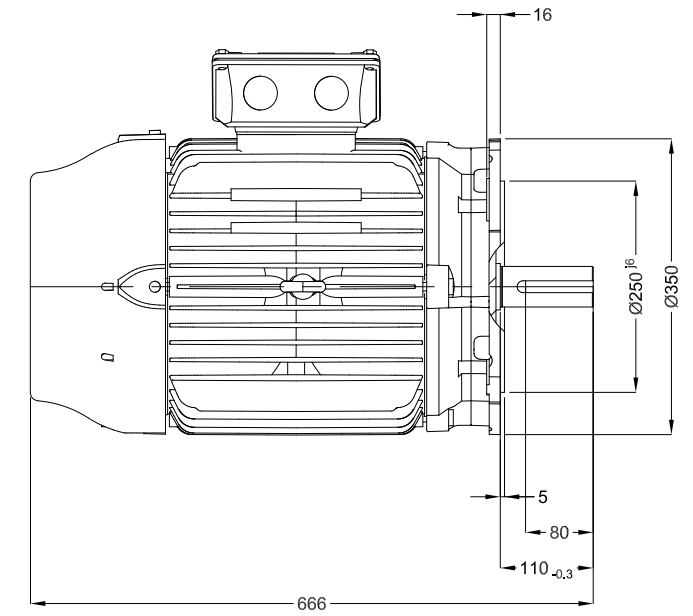
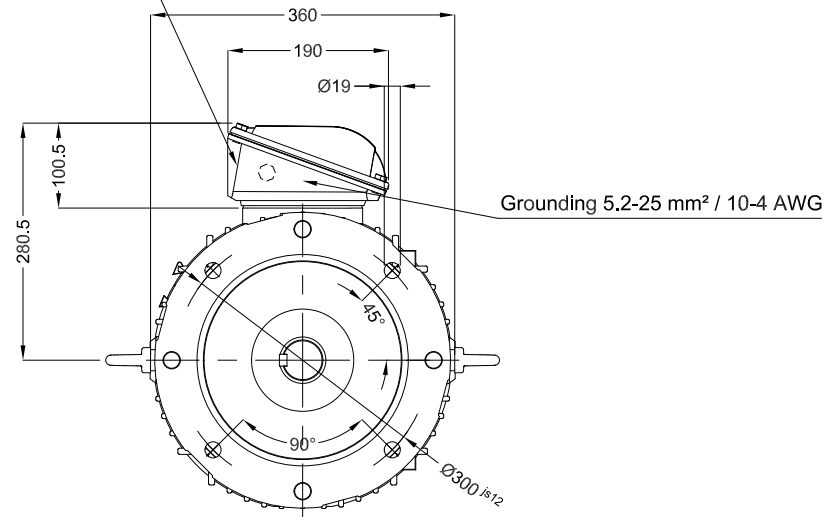
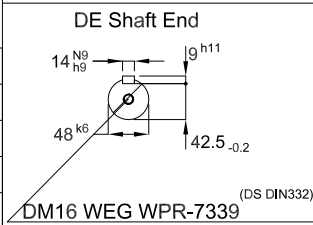


Main terminal box  
2x M40x1.5  
+  
M20x1.5



- Sealing - oil seal ring
- Without vertical jackscrews
- Color RAL 5009
- Painting plan 203A
- Mounting B5T



22 kW 02 Poles 50 Hz

						HYBRISUSER				00	
ECM	LOC	SUMMARY OF MODIFICATIONS				EXECUTED	CHECKED	RELEASED	DATE	VER	
EXECUTED	HYBRISUSER	THREE PH. MOTOR W22 IE3 FRAME 180M IP55 TEFC				<b>PREVIEW</b> WDD   00 SHEET /					
CHECKED											
RELEASED											
REL. DATE											