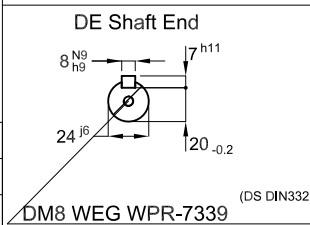
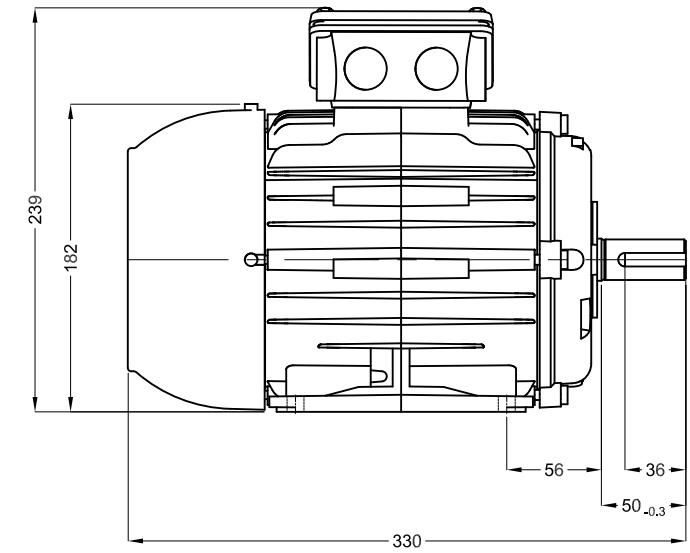
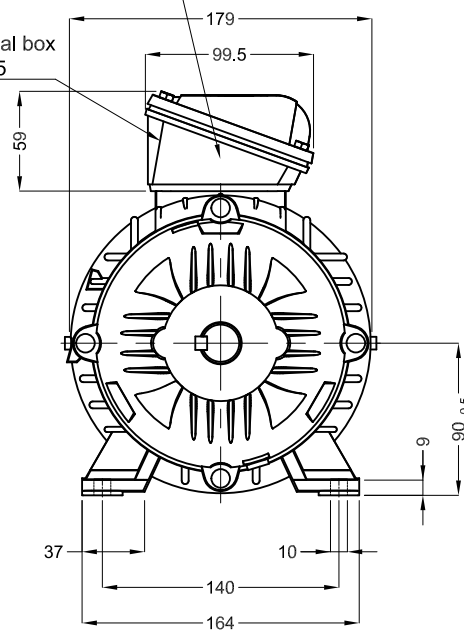


Grounding 0.5-6 mm² / 20-10 AWG

Main terminal box
2x M25x1.5



Color RAL 7030
Painting plan 207A
Mounting B3T

1.5 kW 04 Poles 50 Hz

ECM	LOC	SUMMARY OF MODIFICATIONS	EXECUTED	CHECKED	RELEASED	DATE	VER
EXECUTED	HYBRISUSER	THREE PH. MOTOR W22 IE3					
CHECKED		FRAME 90L IP55 TEFC					
RELEASED							
REL. DATE							

HYBRISUSER 00

PREVIEW

WDD 00

SHEET /

