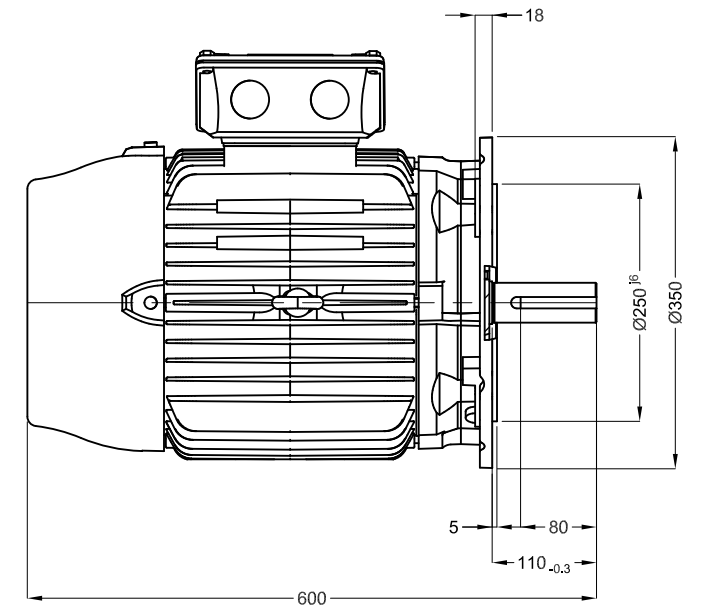
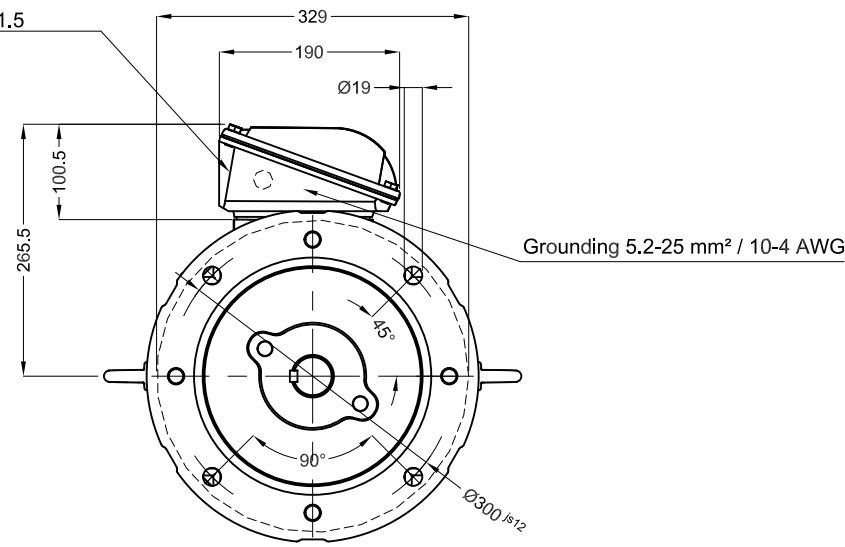
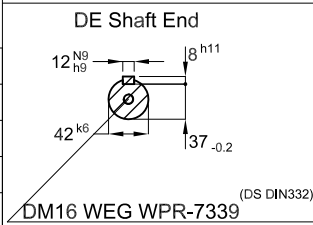


Main terminal box
2x M40x1.5
+
M20x1.5



Sealing - oil seal ring
Without vertical jackscrews
Color RAL 5009
Painting plan 203A
Mounting B5T



11 kW 04 Poles 50 Hz A

ECM	LOC	SUMMARY OF MODIFICATIONS	HYBRISUSER	EXECUTED	CHECKED	RELEASED	DATE	VER
EXECUTED	HYBRISUSER	THREE PH. MOTOR W22 IE3						00
CHECKED		FRAME 160M IP55 TEFC						
RELEASED								
REL. DATE								

PREVIEW
WDD 00
SHEET /

