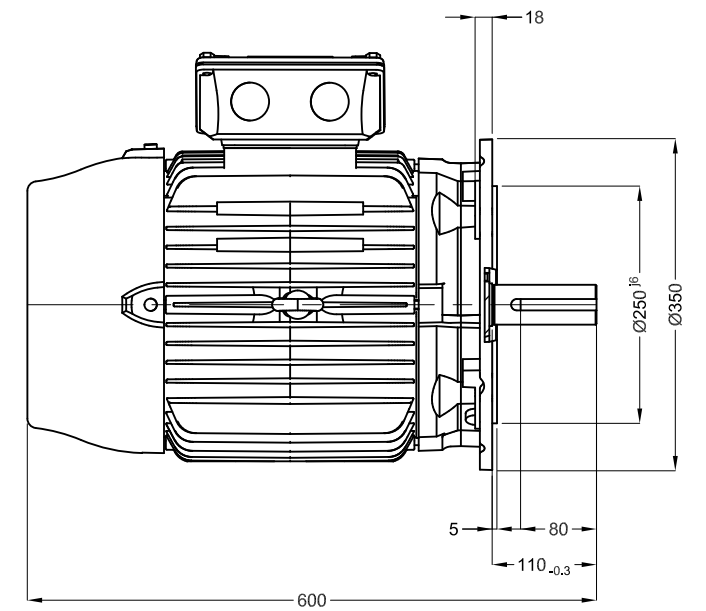
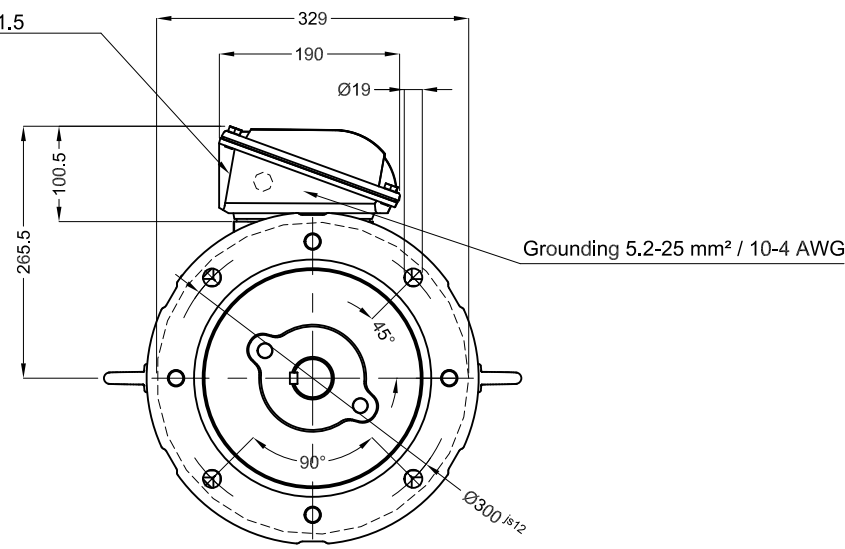


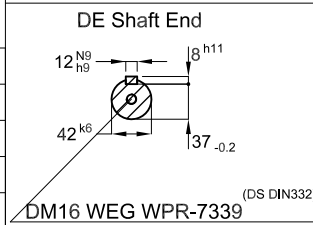
Main terminal box
2x M40x1.5
+
M20x1.5



11 kW 04 Poles 50 Hz

A

Sealing - oil seal ring
Without vertical jackscrews
Color RAL 5009
Painting plan 203A
Mounting B5T



ECM	LOC	SUMMARY OF MODIFICATIONS	EXECUTED	CHECKED	RELEASED	DATE	VER
EXECUTED	HYBRISUSER	THREE PH. MOTOR W22 IE3					
CHECKED		FRAME 160M IP55 TEFC					
RELEASED							
REL. DATE							

HYBRISUSER 00

PREVIEW
WDD 00
SHEET /

