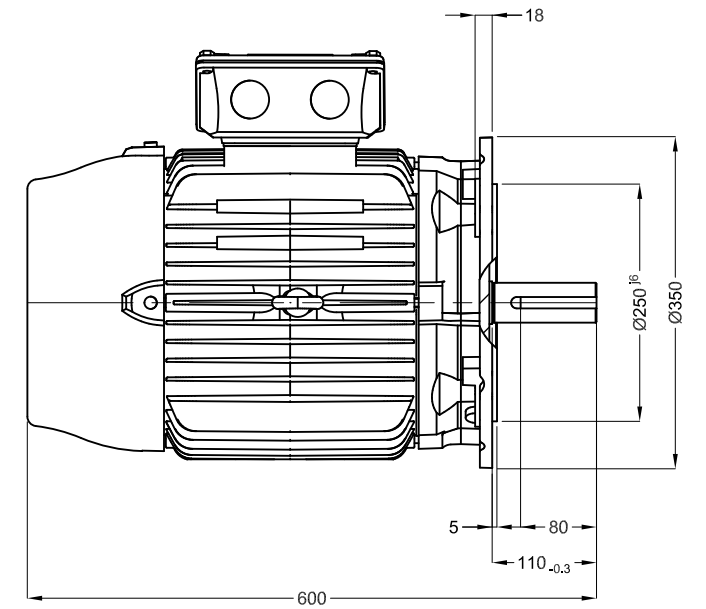
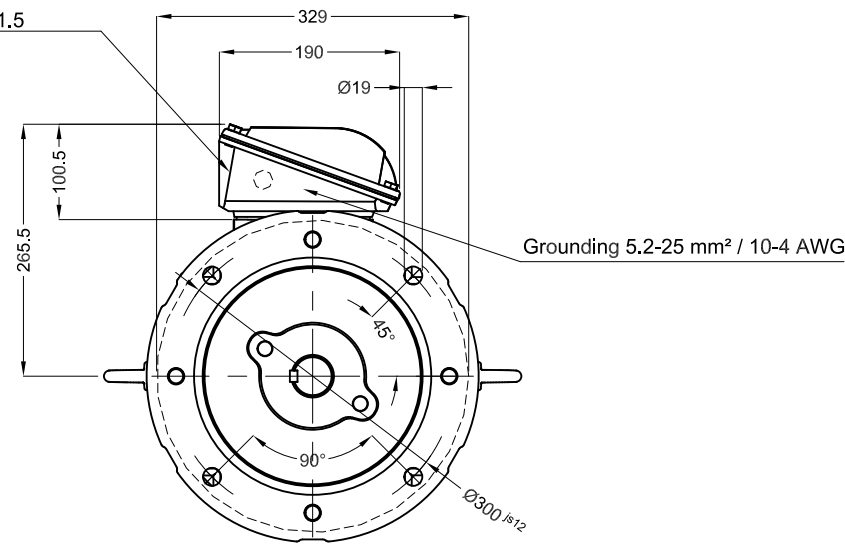
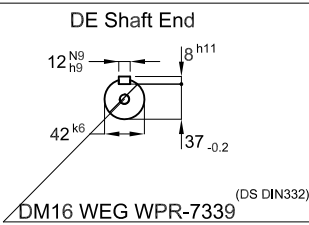


Main terminal box  
2x M40x1.5  
+  
M20x1.5



Sealing - oil seal ring  
Without vertical jackscrews  
Color RAL 5009  
Painting plan 203A  
Mounting B5T



11 kW 02 Poles 50 Hz A

ECM		LOC	SUMMARY OF MODIFICATIONS				HYBRISUSER			00
EXECUTED	HYBRISUSER		THREE PH. MOTOR W22 IE3	EXECUTED	CHECKED	RELEASED	DATE	VER		
CHECKED			FRAME 160M IP55 TEFC							
RELEASED										
REL. DATE										

PREVIEW  
WDD 00  
SHEET /

