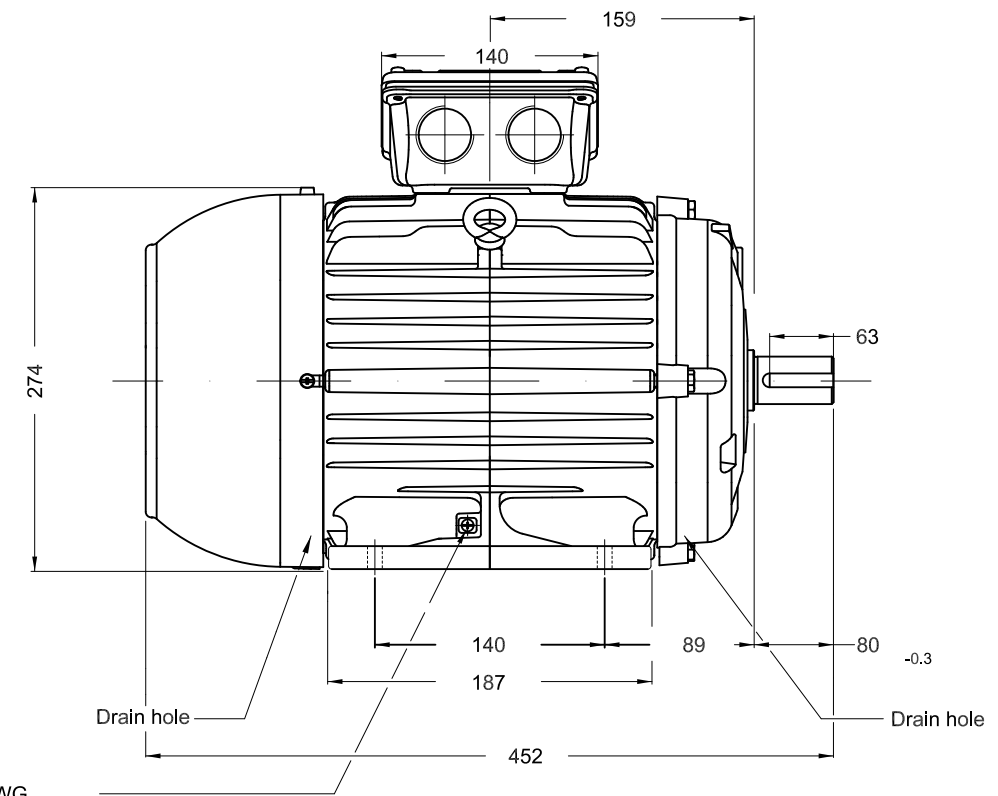
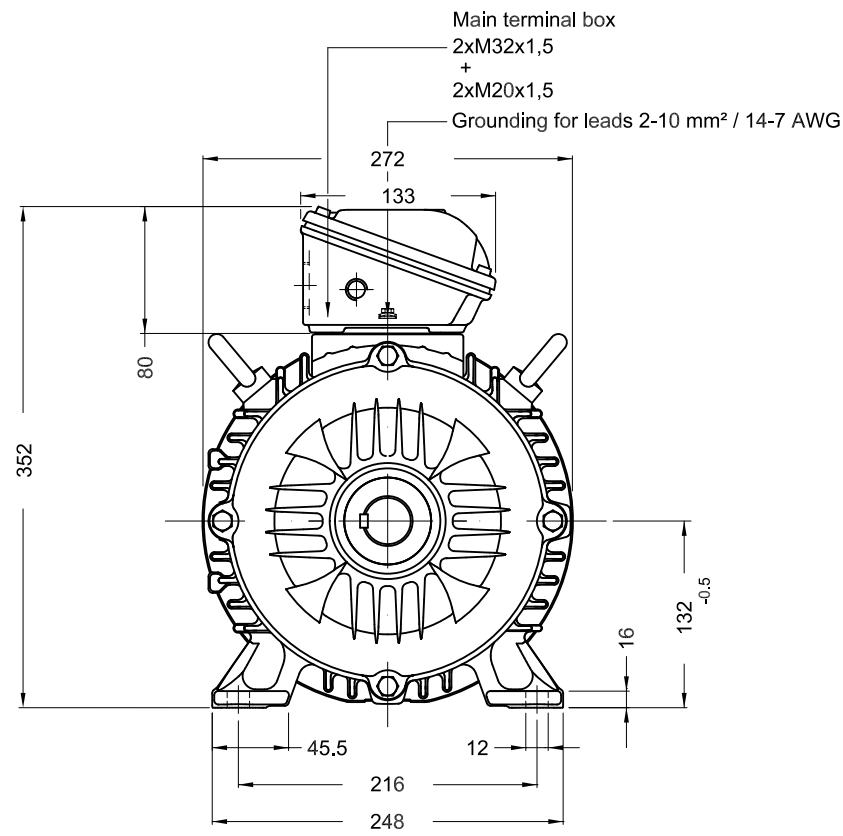


1 2 3 4 5 6

A

B

C

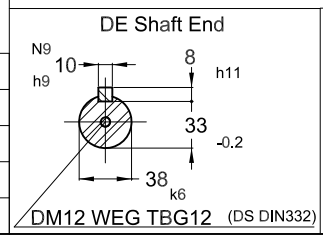


Grounding for leads 2-10 mm² / 14-7 AWG

D

E

Space heaters 110-127 V / 200-240 V
Thermal protection to switch off - thermistors 155°C
Color RAL 5009
Painting plan 202P
Mounting B3T



7.5 kW 02 Poles 50 Hz

QUANTUM CONTROLS

ECM	LOC	SUMMARY OF MODIFICATIONS	EXECUTED	CHECKED	RELEASED	DATE	VER
EXECUTED	PIRWBUSER	THREE PH. MOTOR W22 IE3					
CHECKED		FRAME 132S IP55 TEFC					
RELEASED							
REL DT.	WMO	Jaragua do Sul	Product Engineering	SHEET	1 / 1		

PREVIEW
WDD

